

Operating Instructions

Wet and Dry Vacuum Cleaner

wetCAT 362 ET

wetCAT 362 IET



wetCAT 362 ET



wetCAT 362 IET

WETCAT ET & IET

Imprint

Product identification

Wet and Dry Vacuum Cleaner	Item number
wetCAT 362 ET	7001360
wetCAT 362 IET	7001370

Manufacturer

Stuermer Maschinen GmbH
Dr.-Robert-Pfleger-Str. 26
D-96103 Hallstadt

Fax: 0049 (0) 951 96555 - 55
E-Mail: info@cleancraft.de
URL: www.cleancraft.de

Indications regarding the operating instructions

Original Instructions

Publication: 29.10.2020
Version: 2.04
Language: English
Author: ES/MS

Indications regarding the copyright

Copyright © 2020 Stürmer Maschinen GmbH, Hallstadt, Germany.

The contents of these operating instructions are the sole property of the company Stürmer. Passing on as well as copying of this document, the use and distribution of its content are prohibited if not explicitly permitted. Contraventions are liable to compensation.

Subject to technical modifications and error.

Content

1 Introduction	3
1.1 Copyright	3
1.2 Customer service	3
1.3 Limitation of liability	3
2 Safety	3
2.1 Symbol explanation	3
2.2 Obligations of the operating company	4
2.3 Requirements to staff	5
2.4 Personal protective equipment	5
2.5 General safety regulations	5
2.6 Safety labels on the special vacuum cleaner	7
3 Indended Use	7
4 Technical Data	8
4.1 Type plate	8
5 Transport, packaging, storage	8
5.1 Transport	8
5.2 Packaging	8
5.3 Storage	8
6 Scope of delivery	8
7 Description of the device	9
8 Electrical connection	10
9 Operating elements and functions	10
10 Operation	11
10.1 Start and Stop	11
10.2 Operating instructions	11
10.3 Seal control	12
10.4 Float	12
11 Care, maintenance and repair	12
11.1 Care by cleaning	12
11.2 Maintenance and repair	13
12 Disposal, recycling of used devices	13
12.1 Decommissioning	13
12.2 Waste disposal of electric equipment	13
12.3 Disposal of dust bags and filters	13
12.4 Disposal of lubricants	13
13 Troubleshooting	14
14 Spare parts	15
14.1 Ordering spare parts	15
14.2 Spare parts drawings	15
15 Electrical circuit diagram wetCAT 362 IET	17
16 EC Declaration of Conformity	18
17 Notes	19

1 Introduction

You have made a good choice by purchasing the CLEANCRAFT vacuum cleaner.

Read the operating manual thoroughly before commissioning the machine.

It gives you information about the proper commissioning, intended use and safe and efficient operation and maintenance of your vacuum cleaner.

The operating manual is part of the vacuum cleaner package. Always keep this operating manual in the location where your vacuum cleaner is being operated. All local accident prevention regulations and general safety instructions for the operating range of your vacuum cleaner must also be complied with.

1.1 Copyright

The contents of these instructions are copyright. They may be used in conjunction with the operation of the vacuum cleaner. Any application beyond those described is not permitted without the written approval of Stürmer Maschinen GmbH.

For the protection of our products, we shall register trademark, patent and design rights, as this is possible in individual cases. We strongly oppose any infringement of our intellectual property.

1.2 Customer service

Please contact your dealer if you have questions concerning your vacuum cleaner or if you need technical advice. They will help you with specialist information and expert advice.

Germany:

Stürmer Maschinen GmbH
Dr.-Robert-Pfleger-Str. 26
D-96103 Hallstadt

Repair service:

Fax: 0049 (0) 951 96555-111
E-Mail: service@stuermer-maschinen.de
Internet: www.cleancraft.de

Spare part orders:

Fax: 0049 (0) 951 96555-119
E-Mail: ersatzteile@stuermer-maschinen.de

We are always interested in valuable experience and knowledge gained from using the application which then could be shared and be valuable to develop our products even further.

1.3 Limitation of liability

All information and notes in these operating instructions were summarised while taking applicable standards and rules, the state-of-the-art technology and our long-term knowledge and experiences into consideration.

In the following cases the manufacturer is not liable for damages:

- Non-observance of the operating instructions,
- Inappropriate use
- Use of untrained staff,
- Unauthorised modifications
- Technical changes,
- Use of not allowed spare parts.

The actual scope of delivery may deviate from the explanations and presentations described here in case of special models, when using additional ordering options or due to latest technical modifications.

The obligations agreed in the delivery contract, the general terms and conditions as well as the delivery conditions of the manufacturer and the legal regulations at the time of the conclusion of the contract are applicable.

2 Safety

This section provides an overview of all important safety packages for the protection of operating personnel as well as for safe and fault-free operation. Other task based safety notes are included in the paragraphs of the individual phases of life.

2.1 Symbol explanation

Safety instructions

The safety notes in these operating instructions are highlighted by symbols. The safety notes are introduced by signal words which express the concern of the risk.



DANGER!

This combination of symbol and signal words indicates an imminently dangerous situation which may lead to death or severe injury if not avoided.

**WARNING!**

This combination of symbol and signal words indicates a potentially dangerous situation which may lead to death or severe injury if not avoided.

**CAUTION!**

This combination of symbol and signal words indicates a potentially dangerous situation which may lead to slight or minor injury if not avoided.

**ATTENTION!**

This combination of symbol and signal words indicates a possibly dangerous situation which may lead to property and environmental damages if they are not avoided.

**NOTE!**

This combination of symbol and signal words indicates a potentially dangerous situation which may lead to material or environmental damage if not avoided.

Tips and recommendations**Tips and recommendations**

This symbol highlights useful tips and recommendations as well as information for an efficient and trouble-free operation.

It is necessary to observe the safety notes written in these operating instructions in order to reduce the risk of personal injuries and damages to property.

2.2 Obligations of the operating company

The operating company is the person who operates the vacuum cleaner for business or commercial reasons by herself, or leaves it to a third party for use or application, and who bears the legal product responsibility for the protection of the user, the staff or for third parties.

Obligations of the operating company:

If the vacuum cleaner is used for commercial purposes, the operating company of the vacuum cleaner must comply with the legal working safety regulations. Therefore, the safety notes in this operating manual, as well as the safety, accident prevention and environment protection regulations applying for the area of application of the vacuum cleaner must be met. The following applies in particular:

- During the entire lifetime the vacuum cleaner, the operating company must verify whether the operating manuals prepared by her correspond to the current status of the regulations, and must adapt these if necessary.
- The operating company must be informed about the applying industrial safety regulations and further analyse hazards resulting from the special working conditions at the place of use of the vacuum cleaner. She must implement these in form of operating manuals for the operation of the vacuum cleaner.
- The operating company must unambiguously regulate and determine the responsibilities for installation, operation, troubleshooting, maintenance and cleaning.
- The operating company must ensure that all persons who work with the vacuum cleaner, have read and understood this manual. Furthermore she must instruct the staff in regular intervals and inform them about the hazards.
- The operator must provide the necessary protective equipment to the staff and order the use of the necessary protective equipment in a binding way.

Furthermore the operating company is responsible to keep the vacuum cleaner always in a technically flawless state. Thus, the following applies:

- The operator must ensure that the maintenance intervals described in this manual are kept.
- The operator must have all safety devices checked regularly for their good working order and their integrity.

2.3 Requirements to staff

The different tasks described in this manual represent different requirements to the qualification of the persons entrusted with these tasks.



WARNING!

Danger in case of insufficient qualification of the staff!

Insufficiently qualified persons cannot estimate the risks while using the vacuum cleaner and expose themselves and others to the danger of severe or lethal injuries.

- Have all works only performed by qualified persons.
- Keep insufficiently qualified persons out of the working area.

Only persons reliable working procedures can be expected from, are allowed to perform all works. Persons the responsiveness of which is affected by e. g. drugs, alcohol or medication, are not allowed to work with the machine.

The qualifications of the personnel for the different tasks are mentioned below:

Operator:

The operator is instructed by the operating company about the assigned tasks and possible risks in case of improper behaviour. Any tasks which need to be performed beyond the operation in the standard mode must only be performed by the operator if it is indicated in these instructions and if the operating company expressly commissioned the operator.

Electrically qualified person:

Electrically qualified person is due to their professional training, knowledge and experience as well as knowledge of the relevant standards and regulations, in a position to carry out work on the electrical systems and to independently recognize and avoid possible dangers.

Qualified personnel:

Due to their professional training, knowledge and experience as well as their knowledge of relevant regulations the specialist staff is able to perform the assigned tasks and to recognise and avoid any possible dangers themselves.

Manufacturer:

Certain works may only be performed by specialist personnel of the manufacturer. Other personnel is not authorized to perform these works. Please contact our customer service for the execution of all arising work.

2.4 Personal protective equipment

The personal protective equipment serves to protect persons against impairments of safety and health while working. The staff member has to wear personal protective equipment while performing different tasks on and with the machine which are indicated in the individual paragraphs of these instructions.

The personal protective equipment is explained in the following paragraph:



Protective gloves

The protective gloves serve to protect the hands against sharp components as well as against friction, abrasions or deep injuries.



Safety boots

Safety boots protect the feet from being crushed, falling parts and slipping over on slippery ground.



Protective clothes

Protective clothes are made of a tightly fitted fabric without the protruding parts of low tear strength.

2.5 General safety regulations

Please note the following:

- Use the guards and secure them securely. Never work without protections and get them working.
- Always keep the vacuum cleaner and its working environment clean. Ensure adequate lighting.
- The special vacuum cleaner must not be modified in its design and should not be used for purposes other than those specified by the manufacturer.
- Never work under the influence of concentration-disturbing illnesses, fatigue, drugs, alcohol or medicines.
- Keep children and persons not familiar with the special vacuum cleaner away from their working environment.
- Do not pull on the mains lead to pull the plug out of the socket. Protect the cable from heat, oil and sharp edges.
- Eliminate disturbances that affect safety immediately.
- Protect the special vacuum cleaner against moisture (risk of short circuit).
- Before each use, make sure that no parts are damaged on the special vacuum cleaner. Damaged parts must be replaced immediately to avoid danger sources.

- Do not overload the special vacuum cleaner! You work better and safer in the specified performance range.
- Only use original spare parts and accessories to avoid possible risks and risks of accidents.
- Do not vacuum dust without a filter.
- Do not vacuum flammable materials.
- Do not vacuum up explosive materials.
- Do not vacuum up substances that can cause explosions when in contact with air.
- Do not exceed the maximum level of the liquid container.
- Do not use the vacuum cleaner in areas with temperatures below -10°C and above 40°C with a maximum humidity of 70%.
- Do not vacuum in the presence of oil vapors or other explosive gases.
- Do not suction glowing objects.
- Never open the tank during operation.
- Do not vacuum up toxic or harmful substances such as asbestos dust.
- Do not immerse the unit in water and do not use water jets to clean it.
- Protect the special vacuum cleaner from moisture.
- Never pull the mains plug or the suction hose.
- Do not use outdoors at low temperatures!
- Do not use compressed air to clean the special vacuum cleaner. If this is absolutely necessary, use protective goggles and observe the safety regulations at the workplace. Avoid placing it in sensitive places such as labels, gaskets, etc. Never use compressed air with a pressure greater than 3 bar.
- Use only original spare parts and accessories to avoid hazards and accidents.
- The device must be used, installed, repaired and handled on a firm, safe and non-inclined surface.
- Do not aspirate materials that could damage the filter elements (e.g. glass, metal, fire, cigarette butts, etc.).
- Make sure that the values indicated on the motor block correspond to the mains voltage to which you wish to connect the unit.
- When using extension cords, make sure that they are compatible with the power cord (larger or equivalent cross-section) and that they do not come into contact with liquids or conductive surfaces.
- Do not vacuum corrosive detergents as they may damage the vacuum cleaner.



ATTENTION!

The float has the function to stop the vacuuming when the tank is full of fluids or in case of overturning; carry out routine cleaning checking that it has no damage and change it if necessary. In case of float intervention it is necessary to switch off the machine and empty the tank.



ATTENTION!

Check the mains cable regularly for damage, splits or ageing (hairline cracks). If necessary, replace the cable before use.



ATTENTION!

Do not leave the functioning device unattended, always remove the plug from the socket when not using the device and store it away from the reach of children or people who are not conscious of their own actions.



WARNING!

Don't ever point the suction opening towards delicate parts of the body – of people or animals - such as eyes, ears, mouth, etc.



ATTENTION!

Store the device under consideration of its weight, i.e. on a firm, level surface and only in a closed room without humidity.



WARNING!

In case of leakage of liquid or foam switch off immediately.



ATTENTION!

If the device is equipped with an additional socket, the power indicated on the socket must not be exceeded. Failure to comply with this requirement may result in fire, personal injury or even death to the user.

Use only the brushes supplied with the appliance or those specified in the instructions. Using other brushes may compromise safety.



ATTENTION!

In case tipping over, lift the device.



ATTENTION!

The device is not suitable for areas protected against electrostatic discharges.

2.6 Safety labels on the special vacuum cleaner

The following safety labels and instructions are attached to the vacuum cleaner (Fig. 1) and must be observed.



Fig. 1: Safety labels

If safety labels on the machine are damaged or missing, this can cause errors, personal injury and material damage. The safety symbols attached to the machine must not be removed. Damaged safety symbols must be replaced immediately.

As soon as the signs are not clearly visible and comprehensible at first glance, the machine must be stopped until new signs have been attached.

3 Intended Use

This vacuum cleaner is suitable for cleaning both dust and liquids. Sturdy, powerful and easy to use, it is also fitted with accessories making it truly efficient for rapid deep cleaning. This vacuum cleaner is suitable for collective use: for example: hotels, schools, factories, offices, shops, etc. The vacuum cleaner must not be operated in potentially explosive environments.

Proper use also includes compliance with all information in this manual. For structural and technical changes to the vacuum cleaner, the company Stürmer Maschinen GmbH assumes no liability.

Claims of any kind due to damage due to improper use are excluded.



ATTENTION!

It is forbidden to carry out changes to the device. Tampering could cause fires and damages even lethal to the user and the forfeiture of the guarantee. The manufacturer declines any responsibility for damages caused to people or things due to non-compliance with these instructions or if the device is unreasonably used.

Unintended use



WARNING!

Dangers in case of unintended use!

Unintended use of the vacuum cleaner can cause hazardous situations.

- Only operate the vacuum cleaner within the performance limits stated in the technical data.
- Do not bypass or disarm safety equipment.
- Only use the vacuum cleaner in technically perfect condition.



ATTENTION!

This special vacuum cleaner is not suitable for absorbing dangerous dust. Never soak up glowing, flammable, explosive or toxic substances. The maximum allowable service temperature is 40 ° C / 104 ° F.

- Do not soak up aggressive cleaning agents as they could damage the device.
- do not absorb any materials that may damage the filter elements (e.g., broken glass, metal, etc.).
- do not absorb water from containers, sinks, tubs, etc.

4 Technical Data

Model	wetCAT 362 ET	wetCAT 362 IET
Vacuum cleaner type	dry & wet	
Dimensions (L x W x H)	570 x 700 x 1140 mm	
Weight	28 kg	21,9 kg
Input power	2,9 kW	
Air volume	10000 l/min	
Negative pressure	247 mbar	
Connection voltage	230 V	
Motor cooling	Bypass	
Supply frequency	~50 Hz	
Number of motors	3	
Cable length	8,5 Meter	
Tank volume	62 Liter	
Tank material	plastic	stainless steel
Hose diameter/length	38 mm / 4 m	
Sound pressure level	76 dB(A)	

4.1 Type plate



Fig. 2: Type plate wetCAT 362 ET

5 Transport, packaging, storage

5.1 Transport

Check the special vacuum cleaner after delivery for visible transport damage. If you discover damage to the wet / dry vacuum cleaner, immediately report it to the transport company or the dealer.

5.2 Packaging

All used packaging materials and packaging aids are recyclable and should be taken to a materials recycling de-pot to be disposed of.

The delivery packaging is made of cardboard, so please dispose carefully by having it chopped up and given to the recycling collection.

The film is made of polyethylene (PE) and the cushioned parts of polystyrene (PS). Deliver these substances to a collection point for recyclable materials or to the waste disposal company which looks after your region.



WARNING!

Danger to life!

The packaging elements may pose potential hazards (e.g., plastic bags):

- Packaging material for children and persons who are unaware of their actions or keep animals inaccessible.

5.3 Storage

Store the vacuum cleaner in a dry, clean and frost-free environment.

6 Scope of delivery

The vacuum cleaner is delivered with:



Fig. 3: Scope of delivery

- PCB cartridge filter
- Polycarbonate pre-filter cylindrical
- Pluggable suction tube
- Adapter Ø 38/36
- Universal adapter Ø 36/32/36
- Tube adapter Ø 38
- Flat attachment
- Round attachment with brush
- Suction hose 2 m
- Handle with loss-air control
- Dry floor attachment
- Wet floor attachment

7 Description of the device

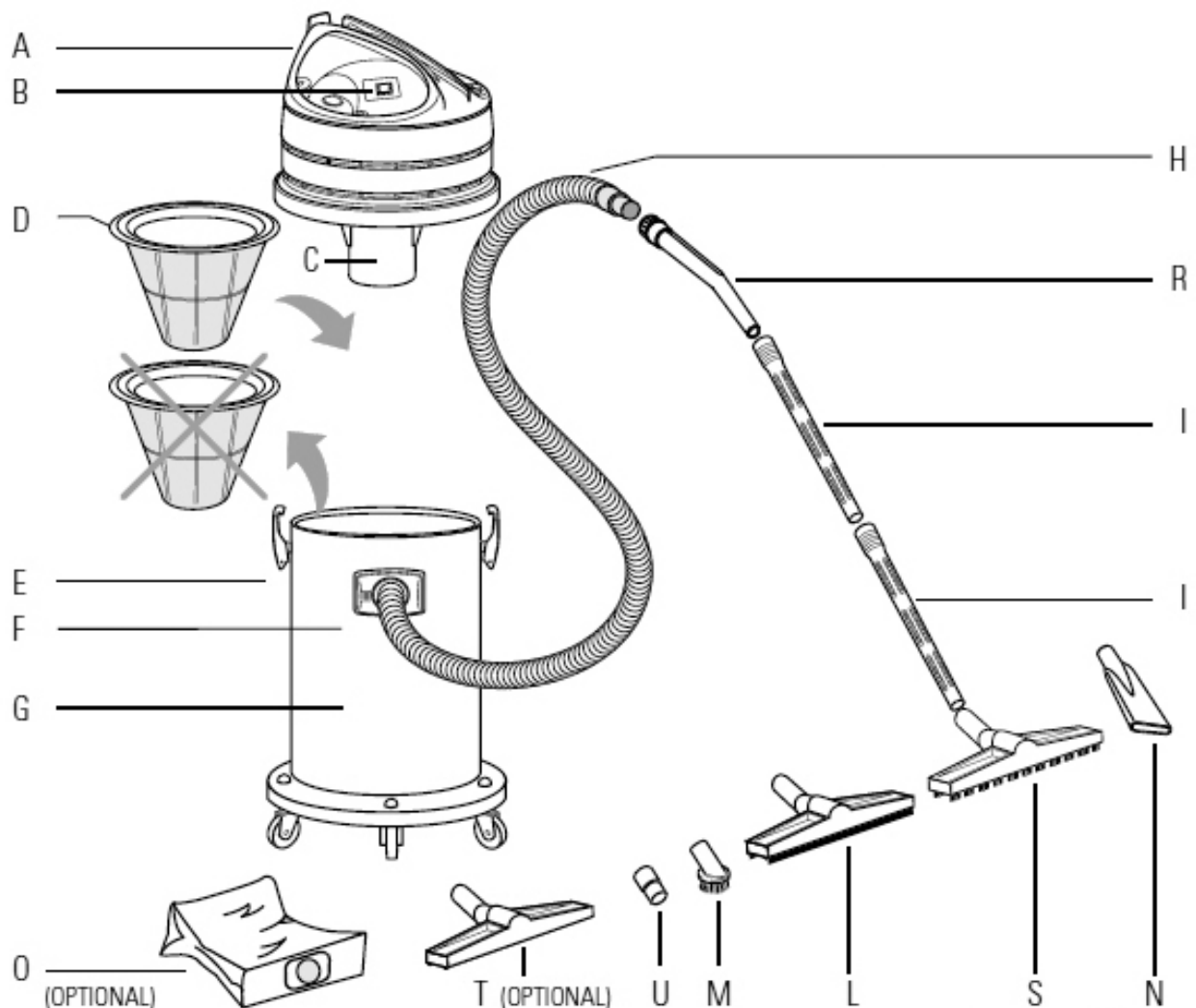


Fig. 4: Description of device

- A - Motor block
- B - ON/OFF switch
- C - Float: its purpose is to avoid that liquid may goes inside motor block during suction
- D - PCB cartridge filter. Only for dry vacuuming!
Always remove for the wet vacuuming!
- E - Hooks for tightening of motor block to tank
- F - Suction inlet
- G - Tank
- H - Flexible hose
- I - Extension tube
- L - Water suction nozzle
- M - Round brush
- N - Flat lance
- O - Paper filter (optional) for dry vacuuming only. Its use does not exclude the use of the PCB cartridge filter, which must be used in any case.
- P - Upholstery attachment
- Q - Floor double use brush (folding brush)
- R - Handle
- S - Dry suction nozzle
- T - carpet suction nozzle (optional)
- U - Reduction piece
- V - Combined brush (optional)

8 Electrical connection



ATTENTION!

Make sure that the mains voltage corresponds to that indicated on the vacuum cleaner label. If the power cord needs to be replaced, check that the new cord has the same certified characteristics as the original.

When using extension cords, make sure that they are compatible with the power cord (larger or equivalent cross-section) and that they do not come into contact with liquids or conductive surfaces.



ATTENTION!

Non-equivalent cables or cables with a smaller cross-section may overheat and cause serious injury to the operator.

9 Operating elements and functions



Fig. 5: Power socket & motor switch

Integrated socket for connecting power tools (Pos. A, Fig. 5)

The integrated socket on the special vacuum cleaner is designed to connect a portable power tool.



NOTE!

Do not exceed the power of the integrated socket specified on the type plate.

Motor switch: Model wetCAT 362 ET (Pos. B1, B2 and B3, Fig. 5)

The vacuum cleaner has 3 motors which you can switch on and off with the help of the motor switches.



ATTENTION!

This vacuum cleaner must be used strictly as follows:

- Motor 3 (Pos. B3, fig. 5) can only be switched on without connected consumer.
- With two running motors (Pos. B1 and B2, fig. 5), it is possible to switch on a power tool with max. 1000 W power.

Motor switch: Model wetCAT 362 IET (Pos. C1, C2 and C3, Fig. 5)

The two "red" switches (Pos. C1 and C2, Fig. 5) are for the power stage.

Both switches on ----> full power (two motors)

One switch on ----> less power. (one motor)

Third switch (Pos. C3, Fig. 5) ----> **OPERATING MODE:**

Center position **0**: Machine OFF

Position **I**: Switch on motor 3
Only suction function

Position **II**: Socket is active. The vacuum cleaner sucks, with connected device (e.g. drilling machine) with motor 1 and/or motor 2.

Filter and tank (Fig. 6)



Fig. 6: Filter and tank



NOTE!

To maintain the performance of the device, it is recommended to clean the filter after each use.

10 Operation



DANGER!

Risk of death due to electric shock!

There is a risk of fatal injury from contact with live parts. Electrical components which are switched on can carry out uncontrolled movements and cause serious injuries.

- Disconnect the plug before starting adjustments to the vacuum cleaner.



ATTENTION!

The vacuum cleaner may only be used as follows:

- Do not connect electric tools if all three motors are running.
- If two motors are running, then it is possible to use one tool with max. 1000 W. power to be connected.

It is strictly forbidden to deviate from these operating modes!

For safety reasons, only 2 motors can be started if the additional socket is used.



ATTENTION!

The device must be mounted correctly before use. It must also be checked that the filter elements are correctly mounted and efficient.

The device should only be operated, installed, repaired and transported on firm, level ground.

Make sure that the electrical data indicated on the engine block corresponds to the data of the network to which the special vacuum cleaner is to be connected, and that the plug of the special vacuum cleaner is compatible with the socket.



ATTENTION!

Always disconnect the power plug from the socket before handling the disconnected vacuum cleaner.

Always check the supply cable for damage such as cracks or signs of aging. If necessary, replace the cable before further use.

The replacement of a defective power cord must be carried out by the technical service or by qualified personnel

When using an extension cord, make sure that it has the same cable dimension as the power cord of the vacuum cleaner and avoid contact of the cables with liquids or conductive surfaces.



WARNING!

Before putting the device into operation, make sure that the voltage indicated on the type plate corresponds to the mains voltage.

10.1 Start and Stop

Start

- Uncoil the cable and insert the plug of the vacuum cleaner into a wall outlet.
- Press the On/Off switch

Stop

- Switch off the device and disconnect the plug.
- When removing the plug, always touch the plug, not the cable.

10.2 Operating instructions

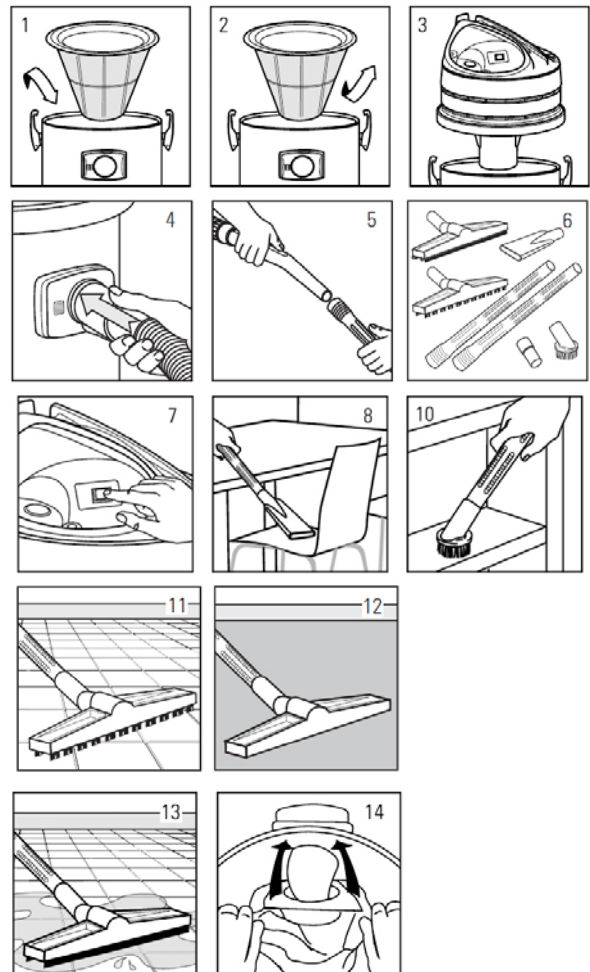


Fig. 7: Operation

Dry suction

- Step 1: Insert the polyester filter in the tank (Pos. 1, Fig. 7).
- Step 2: Assembly the head on tank and block it by hooks (Pos. 3, Fig. 7).
- Step 3: Connect the flexible hose into the inlet (Pos. 4, Fig. 7).
- Step 4: Plug suction pipes to other side of suction hose (Pos. 5, Fig. 7).
- Step 5: Select and connect the necessary accessories (Pos. 6, Fig. 7).
- Step 6: Slide the paper filter onto the deflector, it is located in the device (Pos. 14, Fig. 7).
- Step 7: Connect the plug to power socket then switch on the vacuum cleaner.
- Example of use of flat lance (Pos. 8, Fig. 7)
 - Example of use of upholstery attachment (Pos. 9, Fig. 7)
 - Example of use of round brush (Pos. 10, Fig. 7)
 - Example of use of brush on the floor (Pos. 11, Fig. 7)
 - Example of use of brush on the carpet (Pos. 12, Fig. 7).

Wet suction

- Step 1: Remove the polyester filter (Pos. 2, Fig. 7).
- Step 2: Assembly the head on tank and block it by hooks (Pos. 3, Fig. 7).
- Step 3: Connect the flexible hose into the inlet (Pos. 4, Fig. 7).
- Step 4: Connect the extension to other side of flexible hose (Pos. 5, Fig. 7).
- Step 5: Connect the water suction nozzle L (Pos. 6, Fig. 7)
- Step 6: Connect the plug to power socket then switch on the vacuum cleaner (Pos. 7, Fig. 7)
- Example of use of water suction nozzle (Pos. 13, Fig. 7)



ATTENTION!

We recommend using only accessories supplied with the device or listed in the instruction manual. The use of other accessories may compromise the safety of the operator.

10.3 Seal control

Over time, it is possible that the seals will partially lose their function. This leads to a decrease in the suction power. We recommend periodically checking the locking hooks, flexible suction hoses and seals for proper function. Also, check that the edges of the container are not damaged.

10.4 Float



ATTENTION!

The function of the float is to stop the vacuum cleaner when the container is full or when it tilts. Check regularly that the float is not damaged and that it can move freely. Clean or replace if necessary.

11 Care, maintenance and repair



DANGER!

Risk of fatal injury due to electric shock!

There is a risk of fatal injury from contact with live parts. Electrical components which are switched on can carry out uncontrolled movements and cause serious injuries.

- Disconnect the mains plug before starting cleaning and maintenance work.

11.1 Care by cleaning

The vacuum cleaner should always be kept in a clean condition.



Protective gloves

For cleaning, wear suitable protective gloves to protect against injury.

The ventilation slots of the motor must be kept clean to ensure adequate cooling



ATTENTION!

Clean the special vacuum cleaner in all parts after use. Empty the containers, tap the filters and wipe the teat with a cloth.

The cleaning must not be done by children unless they are supervised by adults.

Maintenance and repairs must always be carried out by qualified personnel. Any damaged parts can only be replaced by original spare parts.

11.2 Maintenance and repair



ATTENTION!

Maintenance and repairs must always be carried out by qualified personnel; Any damaged parts can only be replaced by original spare parts.

Daily maintenance and inspection

- Make sure that the power cord of the vacuum cleaner is not damaged.
- Check the efficiency of all electrical controls on the vacuum cleaner.
- Check that the filter unit is not damaged.
- Check the level of the container tank.
- Check that the suction hose and other accessories are not damaged.
- Check the seal when closing the cover hooks.

Maintenance and inspection after 100/200 operating hours

- Check the seals of the motor heads and the tank group.
- Check whether the edge of the tank has been damaged by improper use (e.g. was turned upside down and hit on the ground).
- Check the condition of the wheels
- Check the filter unit, it must not have any holes or cuts. In this case you must replace it.

Checking the suction hose

With time and under extreme working conditions, the suction hose may lose its original efficiency, reducing the suction power.

We recommend that you check regularly that the hose does not contain any dirt and that it is not damaged on the outside.

If the special vacuum cleaner does not function properly, contact a specialist dealer or our customer service. Contact details can be found in chapter 1.2 Customer Service.

Cleaning the filter

Step 1: Turn off the power and unplug the appliance from the power outlet.

Step 2: Open the locks on the container of the special vacuum cleaner.

Step 3: Clean or replace the filter.

Step 4: Return the filter to its original position and attach it.

12 Disposal, recycling of used devices

Please take care in your own interest and in the interest of the environment that all component parts of the machine are only disposed of in the intended and permitted way.

12.1 Decommissioning

Immediately decommission disused machines in order to avoid later misuse and endangering of the environment or personal safety.

- Eliminate all environmentally hazardous operating materials from the used device.
- If required, disassemble the machine into easy-to-handle and usable components and parts
- Dispose of machine components and operating materials by the disposal channels provided.

12.2 Waste disposal of electric equipment

Please note that electrical devices contain a variety of recyclable materials as well as environmentally harmful components.

You contribute to that these components are disposed of separately and properly. In case of doubt, please contact your municipal waste disposal.

As necessary, a specialized waste disposal company can help be used for the treatment.

12.3 Disposal of dust bags and filters

The dust bags and filters are made of eco-friendly materials. The filters can be disposed of with normal household waste. This also applies to the dust bag as long as it does not contain any dirt prohibited in household waste.

12.4 Disposal of lubricants

Please pay attention to an environmentally friendly disposal of the used coolants and lubricants. Observe the disposal instructions of your municipal disposal companies. The disposal instructions for the lubricants used are provided by the lubricant manufacturer. If necessary, ask for the product-specific data sheets.

13 Troubleshooting



DANGER!

If one of the following errors occurs, immediately stop working with the special vacuum cleaner. Before you begin troubleshooting, turn off the special vacuum and unplug the power cord. Otherwise it could lead to serious injuries. All repairs or replacement work may only be carried out by qualified and trained specialist personnel.



NOTE!

If you can not solve the problem with your vacuum cleaner yourself, then please contact your nearest Cleancraft dealer. Please write down the following information from the vacuum cleaner or the operating instructions in advance to help you with your problem in the best possible way.

- Model name of the device
- Serial number of the device
- Construction year
- Exact error description

Fault	Possible Cause	Solution
Device does not work.	<ol style="list-style-type: none"> 1. Power plug is not plugged in. 2. Supply lines is defective. 3. Switch is defective 4. Motor is defective. 	<ol style="list-style-type: none"> 1. Plug in mains plug. 2. Call the service technician 3. Call the service technician. 4. Call the service technician
Suction decreases.	Blockages in the suction nozzle, suction pipe, suction hose or filter.	<ol style="list-style-type: none"> 1. Remove blockages. 2. Clean or change the filter. 3. Insert the filter cover correctly. 4. Check correct installation position of the filter
High noise level while the vacuum cleaner is in operation	The filter or motor ventilation are very dirty or blocked	Clean or replace the filter. Call the service technician if the noise level continues to be high.
The vacuum cleaner does not suck up any dust.	Filter is dirty or blocked	Switch off the vacuum cleaner and replace the filter. Insert the filter properly after thorough cleaning.
The vacuum cleaner does not suck or at reduced speed.	<ol style="list-style-type: none"> 1. Filter is blocked 2. Suction hose is blocked 3. Gaskets is defective 4. Float is blocked 	<ol style="list-style-type: none"> 1. Switch off the device and clean the filter 2. Switch off the device and clean the hose. 3. Switch off the device and check the seals 4. Switch off the device and empty and clean the dirt container
Electrostatic discharges on the frame or suction hose	No or poor grounding	Turn off the vacuum cleaner and check the effectiveness of the grounding of the power source and ensure that you are using an antistatic suction hose.
The vacuum cleaner switches off automatically during operation	The thermal protection is triggered due to a blocked filter or due to problems with the electrical equipment.	<ol style="list-style-type: none"> 1. in this case the thermal protection functioning. Switch off all motor switches and clean the filter. Wait 20/25 minutes before using the vacuum cleaner. 2. Check the mains supply. The appliance may not work due to a power surge. 3. Check that the voltage of the main supply corresponds to the rated voltage of the appliance.

14 Spare parts

14.1 Ordering spare parts



DANGER!

Danger of injury by the use of wrong spare parts.

Dangers may result for the user and damages as well as malfunctions may be caused by using wrong or damaged spare parts.

- Only use original spare parts of the manufacturer or spare parts admitted by the manufacturer.
- Always contact the manufacturer in case of uncertainties.



Tips and recommendations

The manufacturer's warranty will become null and void if non-permissible spare parts are used.

The spare parts may be purchased with the authorised dealer or directly with the manufacturer. Please find the corresponding contact data in Chapter 1.2 Customer service.

Indicate the following basic information for requests or orders of spare parts:

- Type of device
- Item No.
- Position No.
- Year of construction:
- Quantity
- Required mode of dispatch (mail, freight, sea, air, express)
- Address of dispatch

Spare part orders which do not include the above indications may not be taken into consideration. If the indications regarding the mode of dispatch are missing, the product is dispatched at the discretion of the supplier.

You will find information regarding the device type, item No. and year of manufacture on the type plate fixed to the vacuum cleaner.

Example

The engine for the special vacuum cleaner wetCAT 362 ET must be ordered. The engine is identified in spare part drawing 1 with position number 27.

When ordering spare parts, send a copy of the spare parts drawing (1) with the marked component (engine) and marked item number (27) to the authorised dealer or to the spare parts department and provide the following information:

- Type of device: **Vacuum cleaner wetCAT 362 ET**
- Item number: **7001360**
- Drawing number: **1**
- Position number: **27**

In case of service, the following drawings shall help to identify the necessary spare parts.

14.2 Spare parts drawings

14.2.1 Spare parts drawings wetCAT 362 ET

Spare parts drawing 1

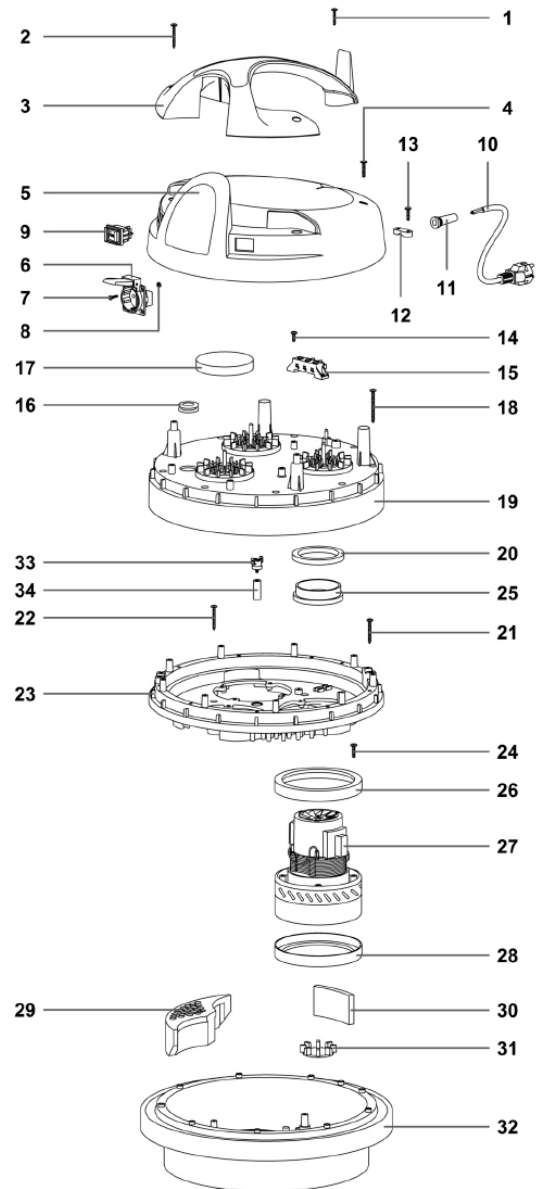
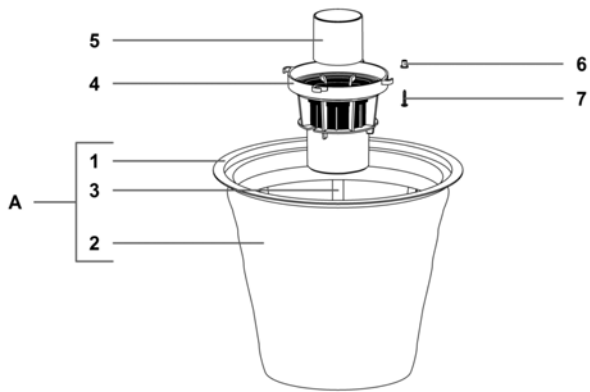
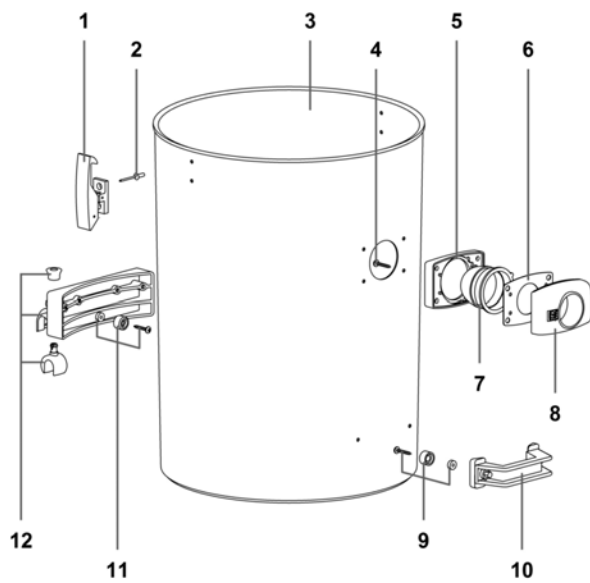


Fig. 8: Spare parts drawing 1

Spare parts drawing 2 - Filter



Spare parts drawing 3: Tank



Spare parts drawing 4: Trolley

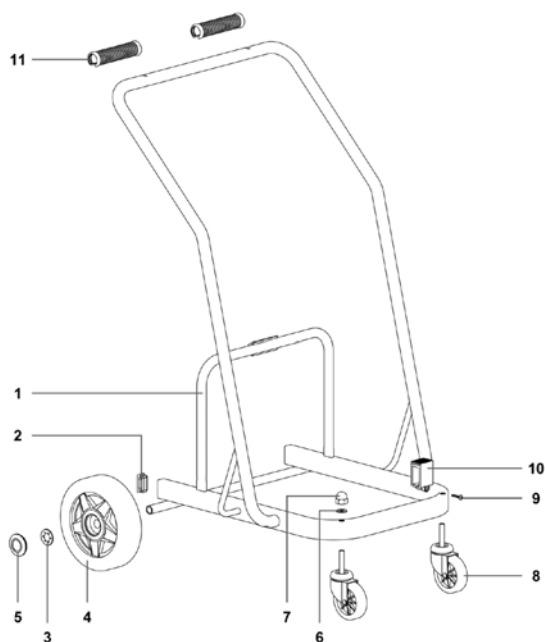


Fig. 9: Spare parts drawings 2, 3 and 4

14.2.2 Spare parts drawing wetCAT 362 IET

Spare parts drawing 1

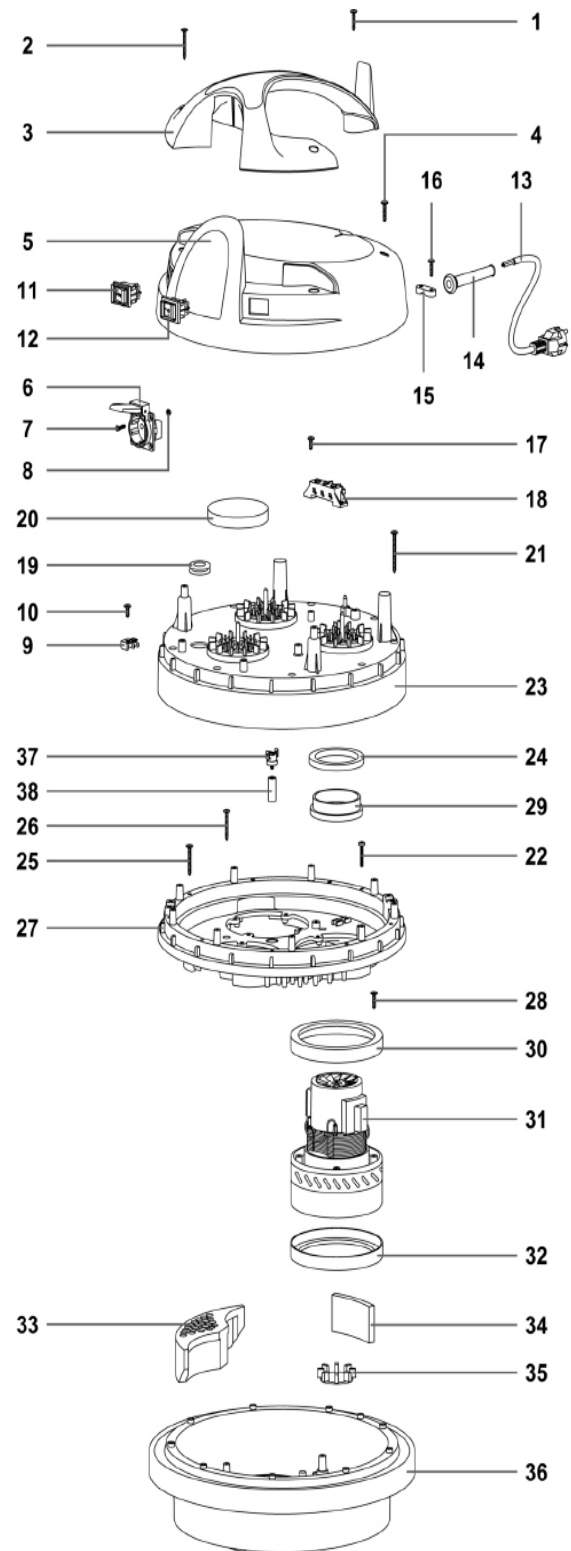
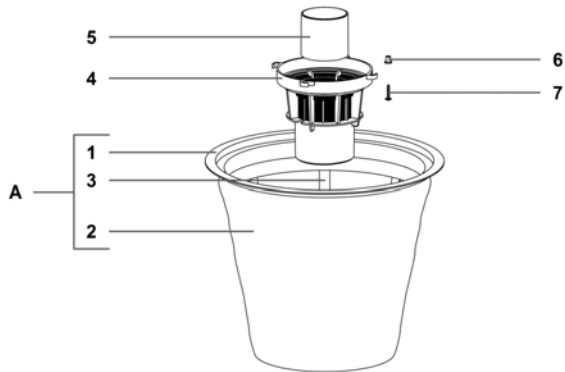
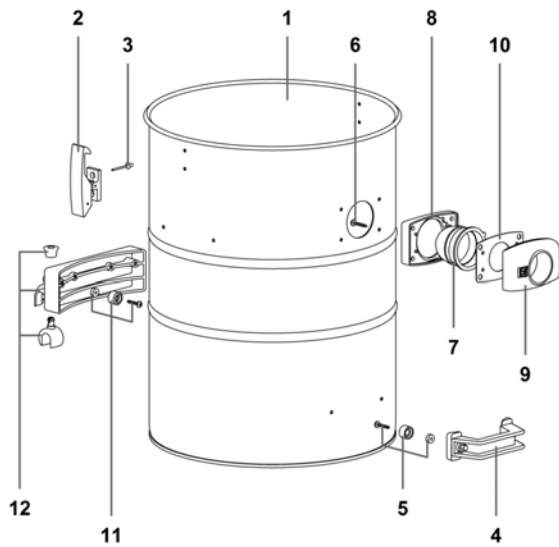


Fig. 10: Spare parts drawing 1

Spare parts drawing 2 - Filter



Spare parts drawing 3: Tank



Spare parts drawing 4: Trolley

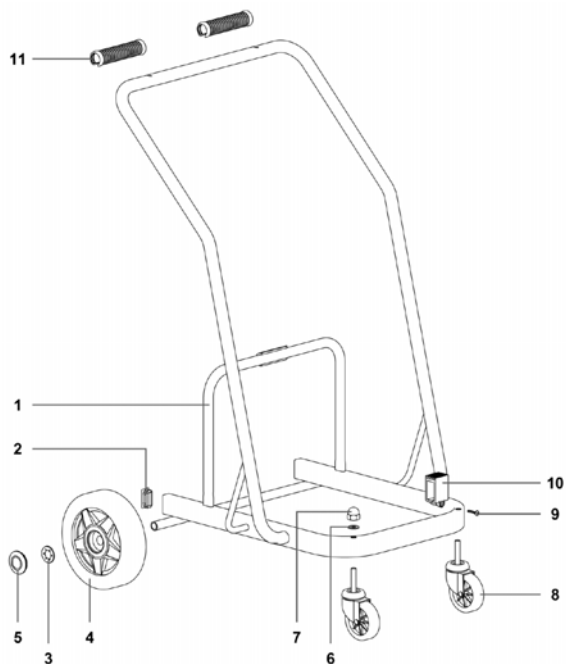


Fig. 11: Spare parts drawing 2, 3 and 4

15 Electrical circuit diagram wetCAT 362 IET

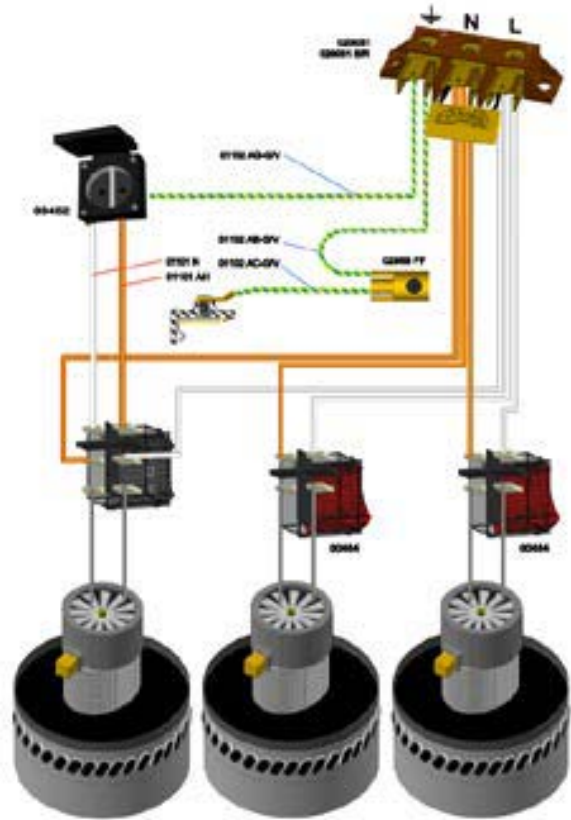


Fig. 12: Electrical circuit diagram wetCAT 362 IET

16 EC Declaration of Conformity

According to Machinery Directive 2006/42/EC, Annex II 1.A

Manufacturer / distributor: Stürmer Maschinen GmbH
 Dr.-Robert-Pfleger-Str. 26
 D-96103 Hallstadt

hereby declares that the following product

Product group: Cleancraft® Cleaning technology

Machine type: Wet and Dry Vacuum Cleaner

Designation of the device*: **Item number*:**

wetCAT 362 ET

7001360

wetCAT 362 IET

7001370

Serial number*: _____

Year of manufacture*: 20_____

* please fill in according to the information on the type plate

complies with all relevant provisions of the above mentioned directive as well as the other applied directives (below) - including their applicable modifications at the time of the declaration.

Relevant EU Directives: 2011/65/EU RoHS Directive
 2014/30/EU EMC Directive

Following standards where applied:

- DIN EN 60335-1 Household and similar electrical appliances - Safety - Part 1: General requirements
- DIN EN 60335-2-69 Household and similar electrical appliances - Safety - Part 2-69: Particular requirements for wet and dry vacuum cleaners, including power brush for commercial use
- DIN EN 55014-1 Electromagnetic compatibility - Requirements for household appliances, electric tools and similar apparatus - Part 1: Emission
- DIN EN 55014-2 Electromagnetic compatibility - Requirements for household appliances, electric tools and similar apparatus - Part 2: Immunity - Product family standard
- DIN EN 61000-3-2 Electromagnetic compatibility (EMC) - Part 3-2: Limits - Limits for harmonic current emissions (equipment input current ≤ 16 A per phase)
- DIN EN 61000-3-3 Electromagnetic compatibility (EMC) - Part 3-3: Limits - Limitation of voltage changes, voltage fluctuations and flicker in public low-voltage supply systems, for equipment with rated current ≤ 16 A per phase and not subject to conditional connection

Responsible for documentation: Kilian Stürmer, Stürmer Maschinen GmbH,
 Dr.-Robert-Pfleger-Str. 26, D-96103 Hallstadt

Hallstadt, 08.03.2018



Kilian Stürmer
 Manager



17 Notes

